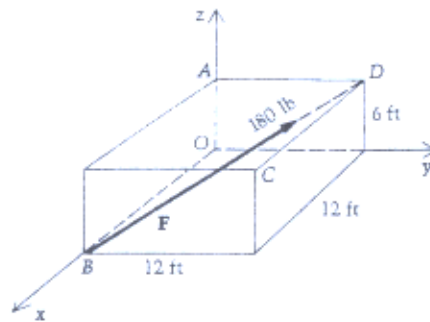
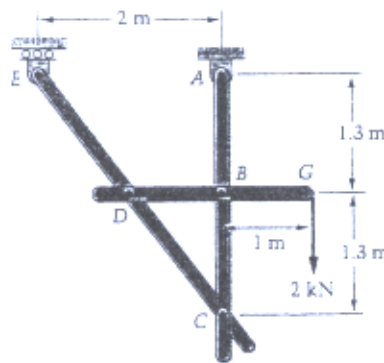


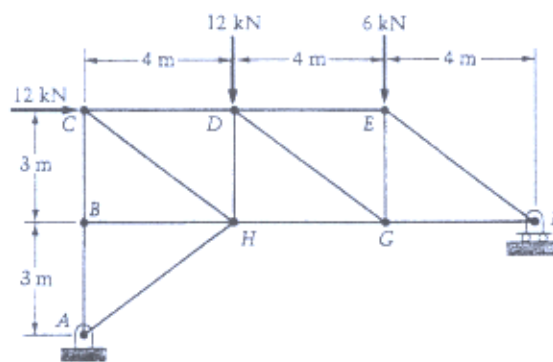
1. (25pts) Determine the moment of the 180-lb force about the line AC.



2. (25pts) Find the forces exerted on the member DG at joint D.



3. (25pts) Find the force in member CD.



4. (25pts) Determine the moment of inertia of the shaded area shown with respect to the x-axis.

